

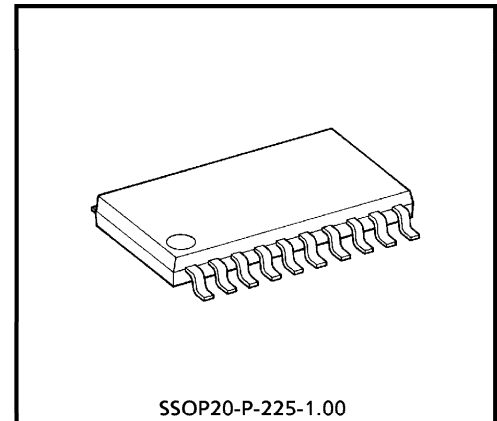
TOSHIBA BIPOLAR LINEAR INTEGRATED CIRCUIT SILICON MONOLITHIC

TA4303F**DOWN CONVERTER FOR BS/CS TUNER IC****DESCRIPTION**

The TA4303F is a monolithic IC to down-convert the L-band (900~2150 MHz) signal for the satellite tuners. It's integrated circuits that perform the mixer/oscillator function. They have double-balanced mixer, local oscillator, If amplifier, OSC buffer amplifier and prescaler buffer amplifier circuits.

FEATURES

- Single chip full band solution, compatible with digital and analog transmissions.
- Single 5 V power supply operation
- Full band constant conversion Gain and Noise Figure
- Local oscillator output circuit for PLL
- Low Phase Noise local oscillator



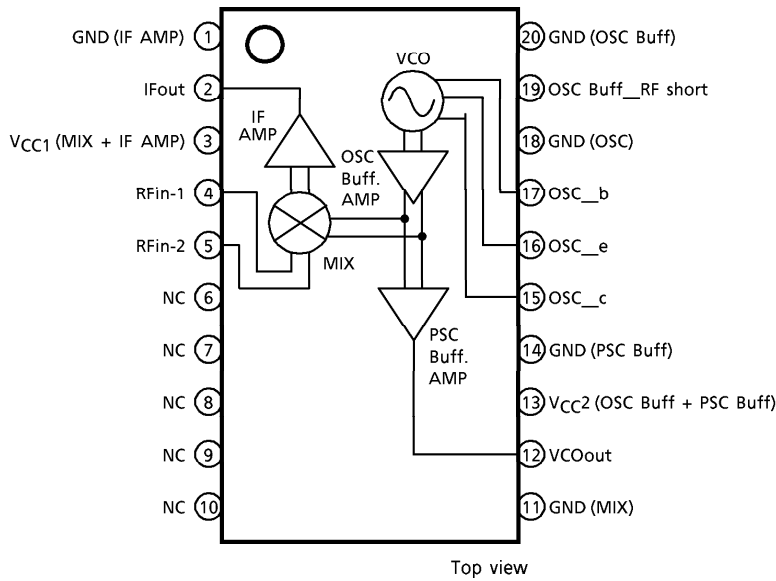
SSOP20-P-225-1.00

Weight : 0.17 g (Typ.)

980910EBA1

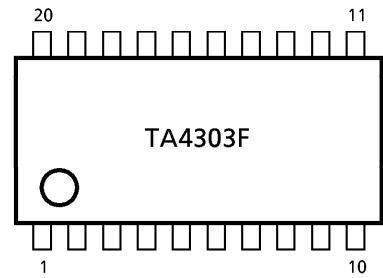
- TOSHIBA is continually working to improve the quality and the reliability of its products. Nevertheless, semiconductor devices in general can malfunction or fail due to their inherent electrical sensitivity and vulnerability to physical stress. It is the responsibility of the buyer, when utilizing TOSHIBA products, to observe standards of safety, and to avoid situations in which a malfunction or failure of a TOSHIBA product could cause loss of human life, bodily injury or damage to property. In developing your designs, please ensure that TOSHIBA products are used within specified operating ranges as set forth in the most recent products specifications. Also, please keep in mind the precautions and conditions set forth in the TOSHIBA Semiconductor Reliability Handbook.
- The products described in this document are subject to the foreign exchange and foreign trade laws.
- The information contained herein is presented only as a guide for the applications of our products. No responsibility is assumed by TOSHIBA CORPORATION for any infringements of intellectual property or other rights of the third parties which may result from its use. No license is granted by implication or otherwise under any intellectual property or other rights of TOSHIBA CORPORATION or others.
- The information contained herein is subject to change without notice.

PIN CONNECTION FUNCTION BLOCK DIAGRAM



Package : SSOP20-P-225, 1.0mm pitch

MARKING



CAUTION

This devices is electrostatic sensitivity.

EXPLANATION

PIN No.	PIN NAME	PIN VOLTAGE	EXPLANATION	EQUIVALENT CIRCUIT
1	GND (IF Amp)	0	GND pin for IF Amp.	—
2	IFout	2.2	IF output pin.	
3	VCC1 (MIX + IF Amp)	5.0	Supply voltage for MIX + IF Amp.	—
4	RFin-1	1.7	RF input pin.	
5	RFin-2	1.7	RF input pin.	
6	NC	—	—	—
7	NC	—	—	—
8	NC	—	—	—
9	NC	—	—	—
10	NC	—	—	—
11	GND (MIX)	0	GND pin for MIX.	—
12	VCOout	2.0	OSC output pin.	
13	VCC2 (OSC Buff + PSC Buff)	5.0	Supply voltage pin for OSC Buff + PSC Buff.	—
14	GND (PSC Buff)	0	GND pin for PSC Buff.	—

PIN No.	PIN NAME	PIN VOLTAGE	EXPLANATION	EQUIVALENT CIRCUIT
15	OSC-c	5.0	OSC collector pin, supply voltage pin.	
16	OSC-e	1.8	Emitter pin for OSC.	
17	OSC-b	2.6	Base pin for OSC.	
18	GND (OSC)	0	GND pin for OSC.	—
19	RF GND (OSC Buff)	1.4	RF GND pin.	
20	GND (OSC Buff)	0	GND pin for OSC Buff.	—

MAXIMUM RATINGS (Ta = 25°C)

CHARACTERISTIC	SYMBOL	RATING	UNIT
Supply Voltage	V _{CC}	6	V
Total Power Dissipation	P _D (Note)	1100	mW
Operating Temperature	T _{opr}	-20~85	°C
Storage Temperature	T _{stg}	-45~150	°C

(Note) : 100 cm² × 1.6 t (Cu layer area : 36%) on glass epoxy resins.

RECOMMENDED OPERATING RANGE

CHARACTERISTIC	SYMBOL	RATING	UNIT
Supply Voltage	V _{CC} (Amp)	4.75~5.25	V
Supply Voltage	V _{CC} (OSC)	4.75~5.25	V
Input Frequency Range	f _{in}	900~2150	MHz
IF Input Frequency Range	f _{IF}	350~550	MHz

ELECTRICAL CHARACTERISTICS (Ta = 25°C)

CHARACTERISTIC	SYMBOL	TEST CIR-CUIT	TEST CONDITION	MIN.	TYP.	MAX.	UNIT
Supply Current	I _{CC} (Total)	1	V _{CC} = 5 V, No RF input	61	74	87	mA
Conversion Gain	G _c	1	f _{in} = 1.6 GHz, f _{IF} = 400 MHz	14	18	25	dB
Noise Figure	NF	1	f _{in} = 1.6 GHz, f _{IF} = 400 MHz	—	15	22	dB
Saturation Output	P _o (sat)	1	f _{in} = 1.6 GHz, f _{IF} = 400 MHz	5	10	—	dBmW
Third-order Intercept	IP3	1	f _{in} = 1.596 GHz, 1.6 GHz f _{IF} = 400 MHz, 404 MHz	12	17	24	dBmW
Posc	Posc	1	f _{LO} = 2.0 GHz	-14	-8	—	dBmW

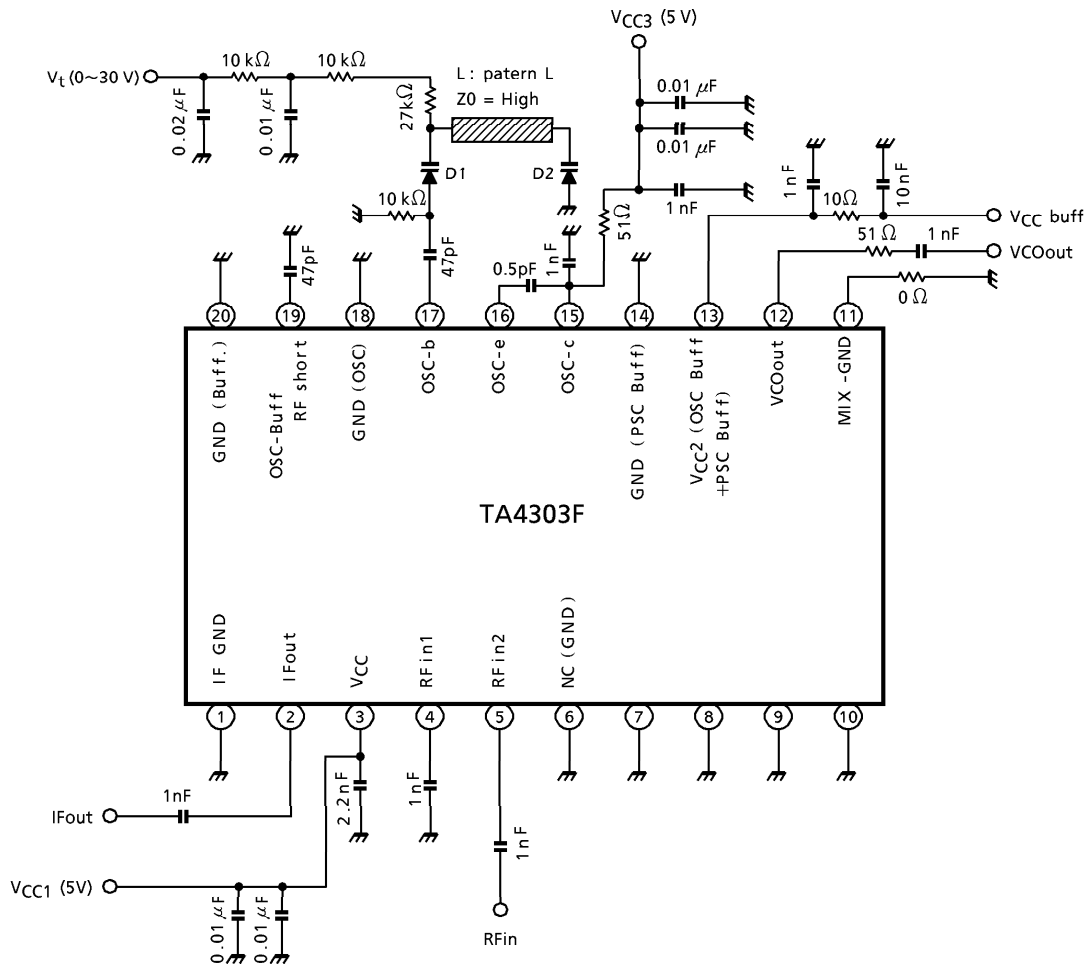
(Note) : All electrical characteristics measured in Supply Voltage 5.0 V (Amp, OSC, OSC Buffer)

REFERENCE CHARACTERISTIC

CHARACTERISTIC	SYMBOL	TEST CIR-CUIT	TEST CONDITION	TYP.	UNIT
Supply Current	I _{CC} (Amp)	1	V _{CC} = 5 V, No RF input	36	mA
Supply Current	I _{CC} (OSC)	1	V _{CC} = 5 V, No RF input	38	mA

(Note) : All electrical characteristics measured in Supply Voltage 5.0 V (Amp, OSC, OSC Buffer)

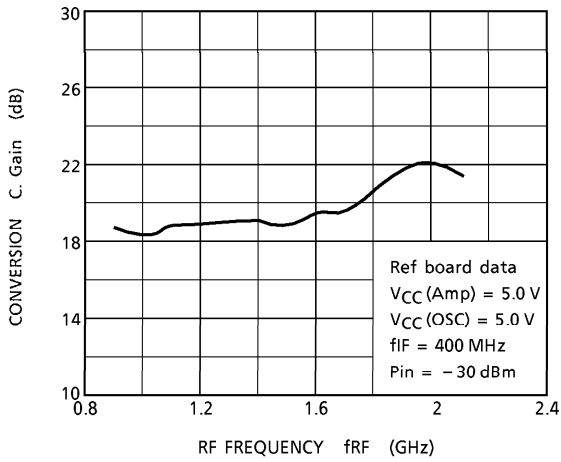
TEST CIRCUIT



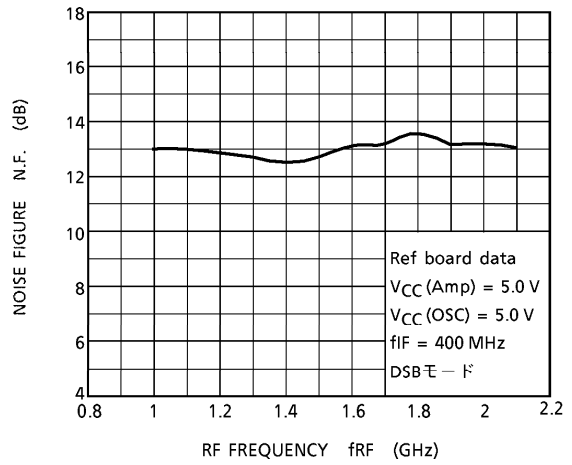
NOTICE

The circuits and measurements contained in this document are given only in the context of as examples of applications for these products. Moreover, these example application circuits are not intended for mass production, since the high-frequency characteristics (the AC characteristics) of these devices will be affected by the external components which the customer uses, by the design of the circuit and by various other conditions. It is the responsibility of the customer to design external circuits which correctly implement the intended application, and to check the characteristics of the design. TOSHIBA assume no responsibility for the integrity of customer circuit designs or applications.

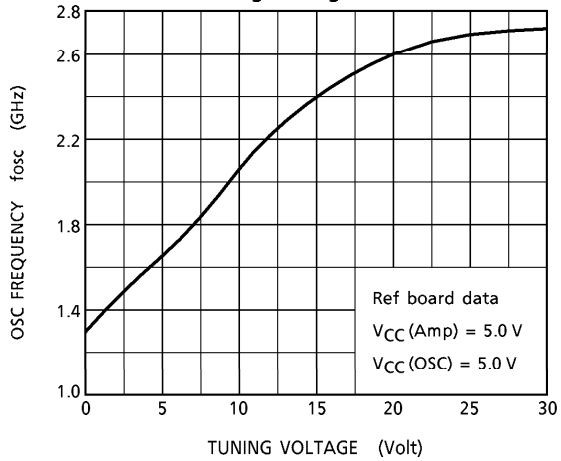
C. Gain - fRF



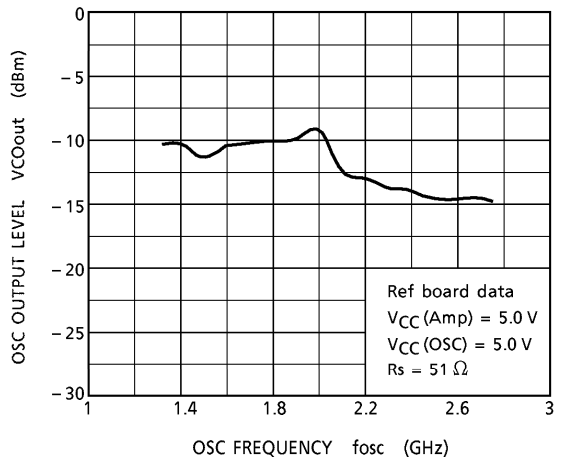
N.F. - fRF



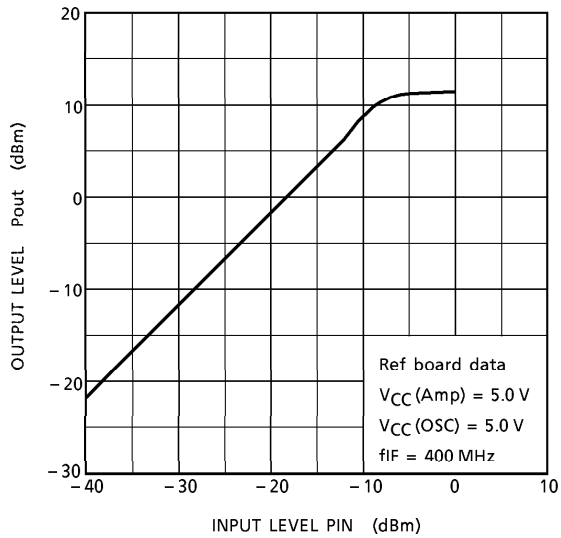
Tuning Voltage - fosc

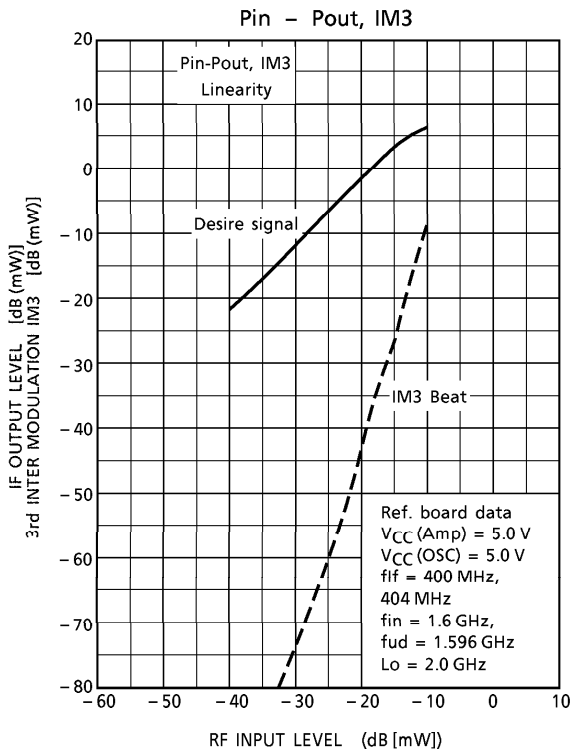


VCOout - fosc



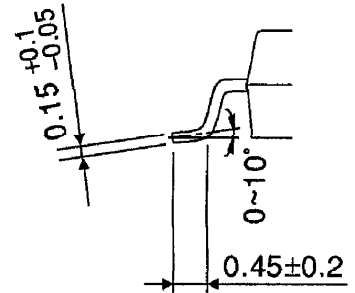
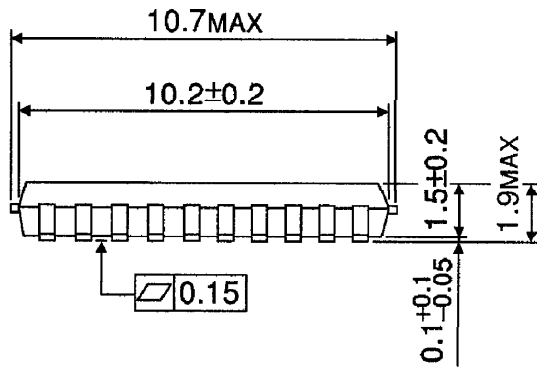
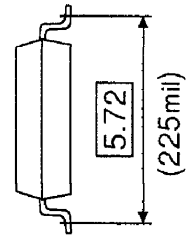
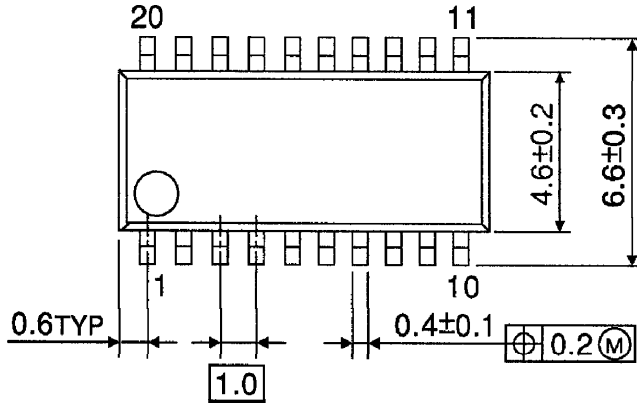
Pin-Pout curve





PACKAGE DIMENSIONS
SSOP20-P-225-1.00

Unit : mm



Weight : 0.17 g (Typ.)